



PARTS LIST

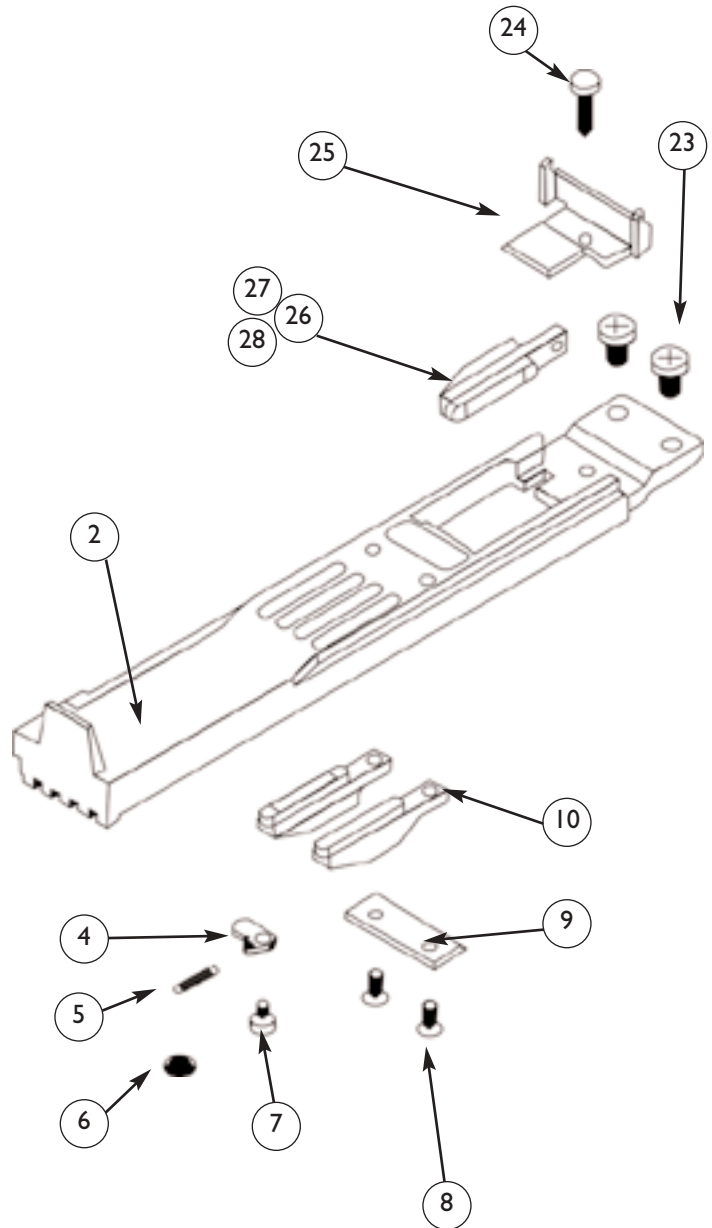


CALL TOLL FREE, USA and Canada 1-800-523-1510 • Fax 1-800-548-1638
270 New Jersey Drive, Fort Washington, PA 19034 (215)628-0860 Fax (215)643-4623

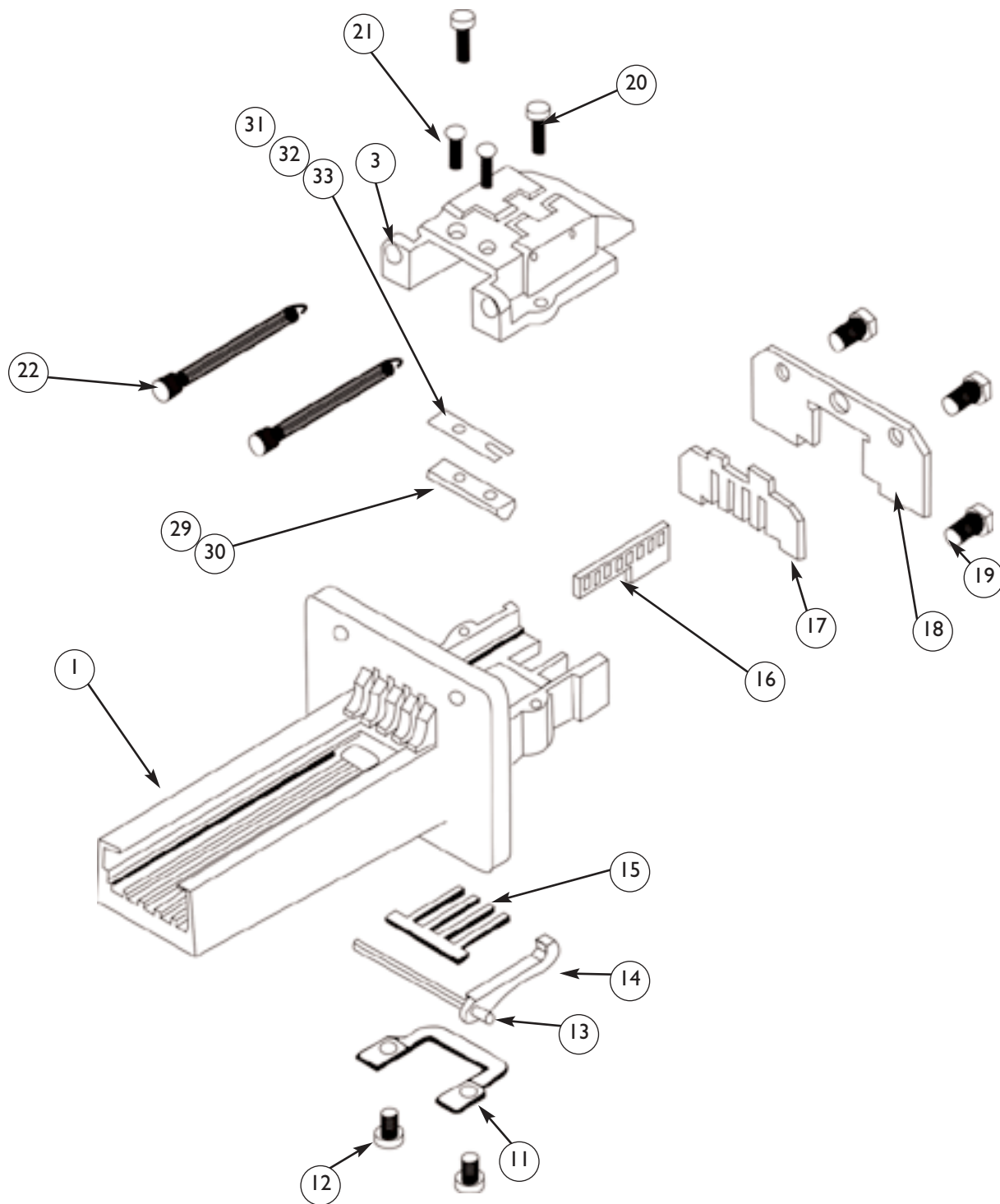
VERTICAL 4 PARTS LIST

ITEM	PART #	DESCRIPTION	OFF
1	21258	BODY	1
2	21752	HANDLE	1
3	21831	BRIDGE	1
4*	20059	RATCHET	1
5*	20065	RATCHET SPRING	1
6*	20664	SPRING RETAINER	1
7*	20736	RATCHET SCREW	1
8*	21209	INSERT RETAINER PLT. SCREW	2
9‡	21754	INSERT RETAINER PLATE	1
10‡	21216	BLANK INSERT	4
11	20749	BOTTOM PLATE	1
12*	50034	BOTTOM PLATE SCREW	2
13‡	20747	PIVOT PIN	1
14‡	20181	LEVER	4
15‡	20746	LEAF SPRING	1
16	21210	RATCHET PLATE	1
17	21265	GATE	1
18	21868	GATE RETAINER	1
19*	20185	LOCATION SCREW	4
20*	50033	BRIDGE SCREW	2
21*	20662	BRIDGE INSERT SCREW	2
22‡	20963	RETURN SPRING	2
23*	50035	EXTENSION SCREW	2
24*	50032	SPRING BRACKET SCREW	1
25	20782	SPRING BRACKET	1
26‡	21194	10¢ FUNCTIONAL CORE	1
27‡	21193	25¢ FUNCTIONAL CORE	4
28	72116	65¢ BRIDGE SIZING BLOCK	1

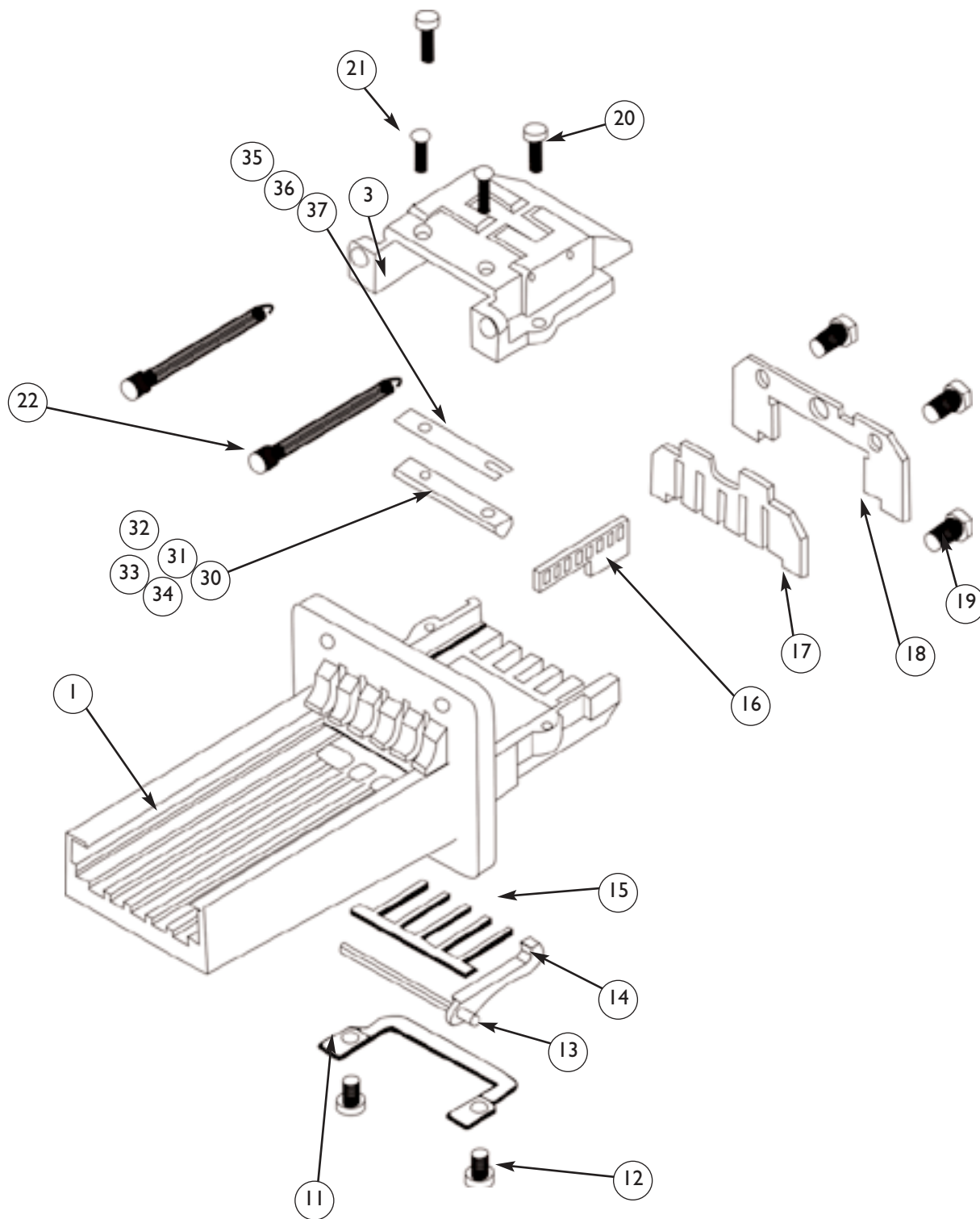
29	21913	\$1 BRIDGE SIZING PLUG	OFF
30*	20779	.015 SHIM	2
32*	20781	.030 SHIM	1



* SOLD IN MINIMUM QUANTITY OF 100 PER BAG
 ‡ SOLD IN MINIMUM QUANTITY OF 20 PER BAG



CALL TOLL FREE, USA and Canada 1-800-523-1510 • Fax 1-800-548-1638
270 New Jersey Drive, Fort Washington, PA 19034 (215)628-0860 Fax (215)643-4623
Find us on the web @ www.esdcoin.com

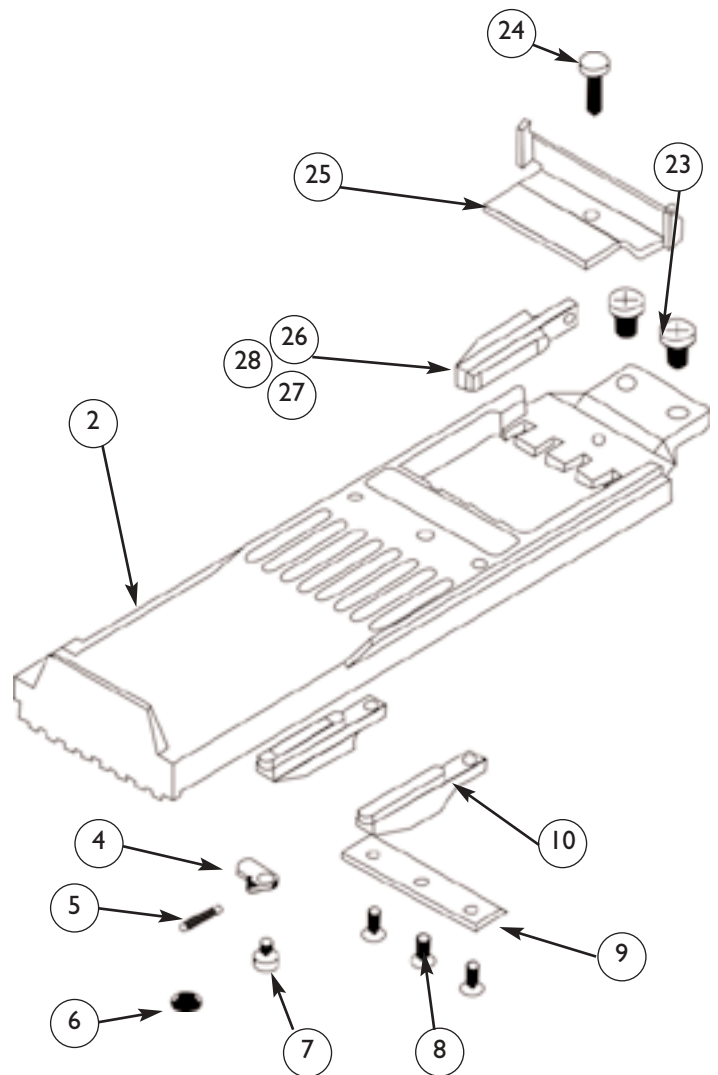


CALL TOLL FREE, USA and Canada 1-800-523-1510 • Fax 1-800-548-1638
270 New Jersey Drive, Fort Washington, PA 19034 (215)628-0860 Fax (215)643-4623
Find us on the web @ www.esdcoin.com

VERTICAL 8 PARTS LIST

ITEM	PART #	DESCRIPTION	OFF
1	21728	BODY	1
2	21727	HANDLE	1
3	22433	BRIDGE	1
4*	20059	RATCHET	1
5*	20065	RATCHET SPRING	1
6*	20664	RETAINER SPRING	1
7*	20736	RATCHET SCREW	1
8*	21209	INSERT RETAINER PLT. SCREW	3
9‡	21738	INSERT RETAINER PLATE	1
10‡	21216	BLANK INSERT	8
11	20709	BOTTOM PLATE	1
12*	50034	BOTTOM PLATE SCREW	2
13‡	20710	PIVOT PIN	1
14‡	20181	LEVER	8
15‡	20717	LEAF SPRING	1
16	21210	RATCHET PLATE	1
17	22284	GATE	1
18	22568	GATE RETAINER	1
19*	20185	LOCATION SCREW	4
20*	50033	BRIDGE SCREW	2
21*	20662	BRIDGE INSERT SCREW	2
22‡	20963	RETURN SPRING	2
23*	50035	EXTENSION SCREW	2
24*	50032	SPRING BRACKET SCREW	2
25	21860	SPRING BRACKET	1
26‡	21194	10¢ FUNCTIONAL CORE	1
27‡	21193	25¢ FUNCTIONAL CORE	8
28‡	21281	\$1.00 FUNCTIONAL CORE	1-5

ITEM	PART #	DESCRIPTION	OFF
29	21758	\$1.85 BRIDGE SIZING BLOCK	1
30	21759	\$2.00 BRIDGE SIZING BLOCK	1
31	21760	\$2.75 BRIDGE SIZING BLOCK	1
32	21765	\$5.75 BRIDGE SIZING BLOCK	1
33	20732	.010 SHIM	1-3
34	20733	.015 SHIM	2
35	20734	.020 SHIM	1
36	20735	.030 SHIM	1



* SOLD IN MINIMUM QUANTITY OF 100 PER BAG

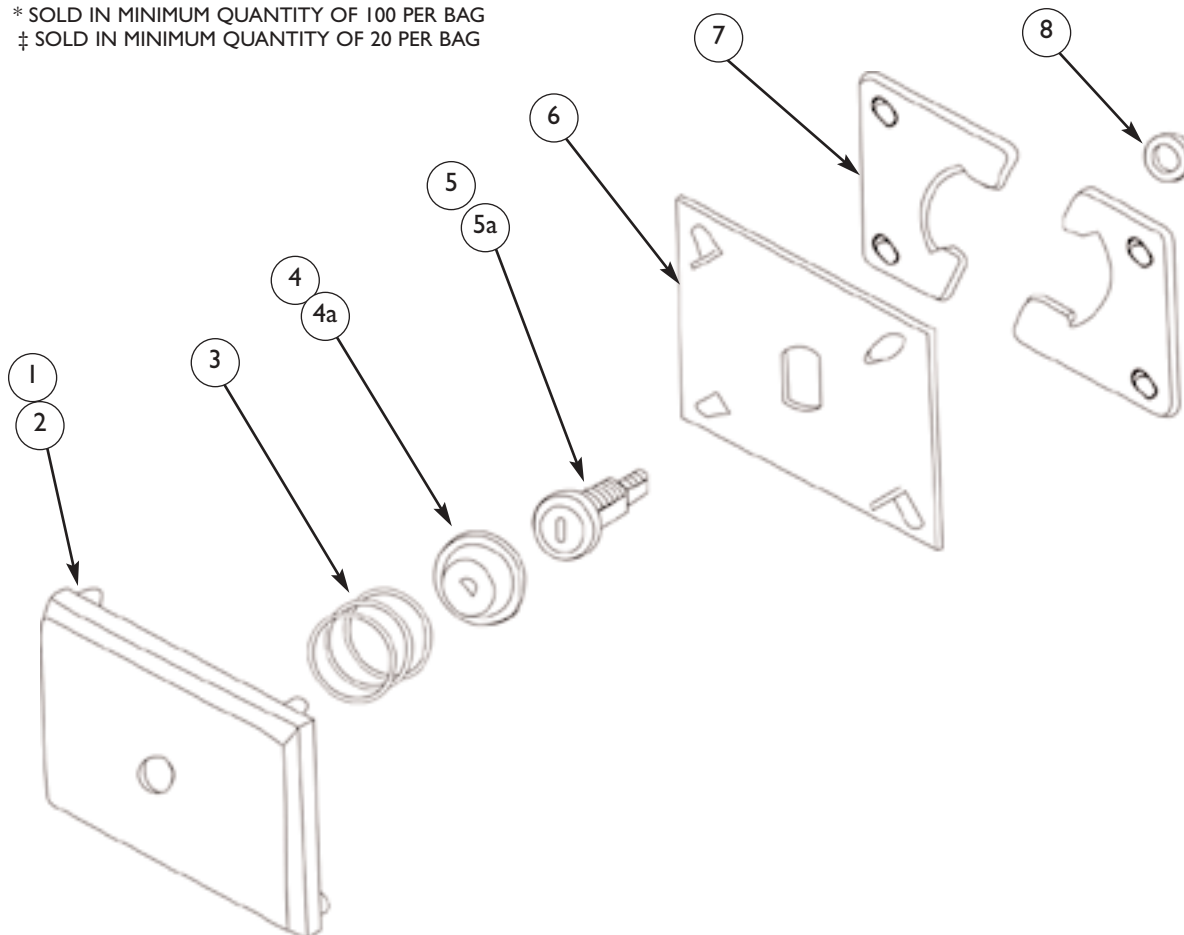
‡ SOLD IN MINIMUM QUANTITY OF 20 PER BAG

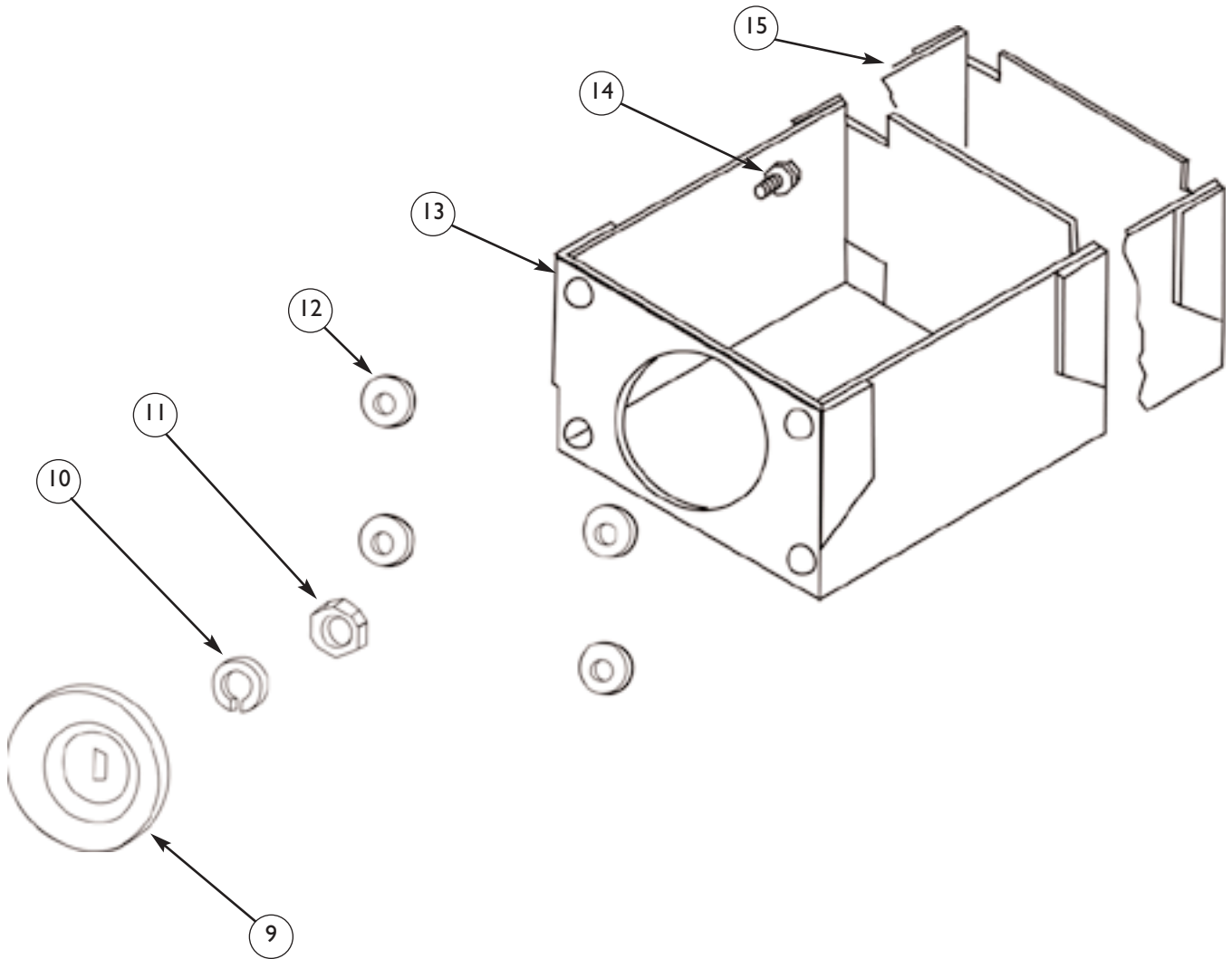
MONEY BOX PARTS LIST

ITEM	PART #	DESCRIPTION	OFF
1‡	20186XEP	ESD FACE	1
2‡	20186XD	XD FACE	1
3‡	20192	COMPRESSION SPRING	1
4 - 4A‡	21379	SPINNER	1
5	0600XEP	ESD MB LOCK	1
5A	0600XD	DUO MB LOCK	1
6‡	20191	LOCK HOLDER PLATE	1
7‡	20189	LOCKING PLATE	2
8*	20529	PLASTIC WASHER	1
9‡	20202	ACTUATOR CAM	1
10*	50008	SPLIT WASHER	1

ITEM	PART #	DESCRIPTION	OFF
11*	50014	NUT	1
12*	50038	HEX STUD WASHER	4
14	50043	STUD SCREW	4
15	20205-L	LONG COIN TRAY	1
16	21883	X LONG COIN TRAY	1
18*	50045	SM WAVE WASHER	2
19*	50028	LARGE XD NUT	1

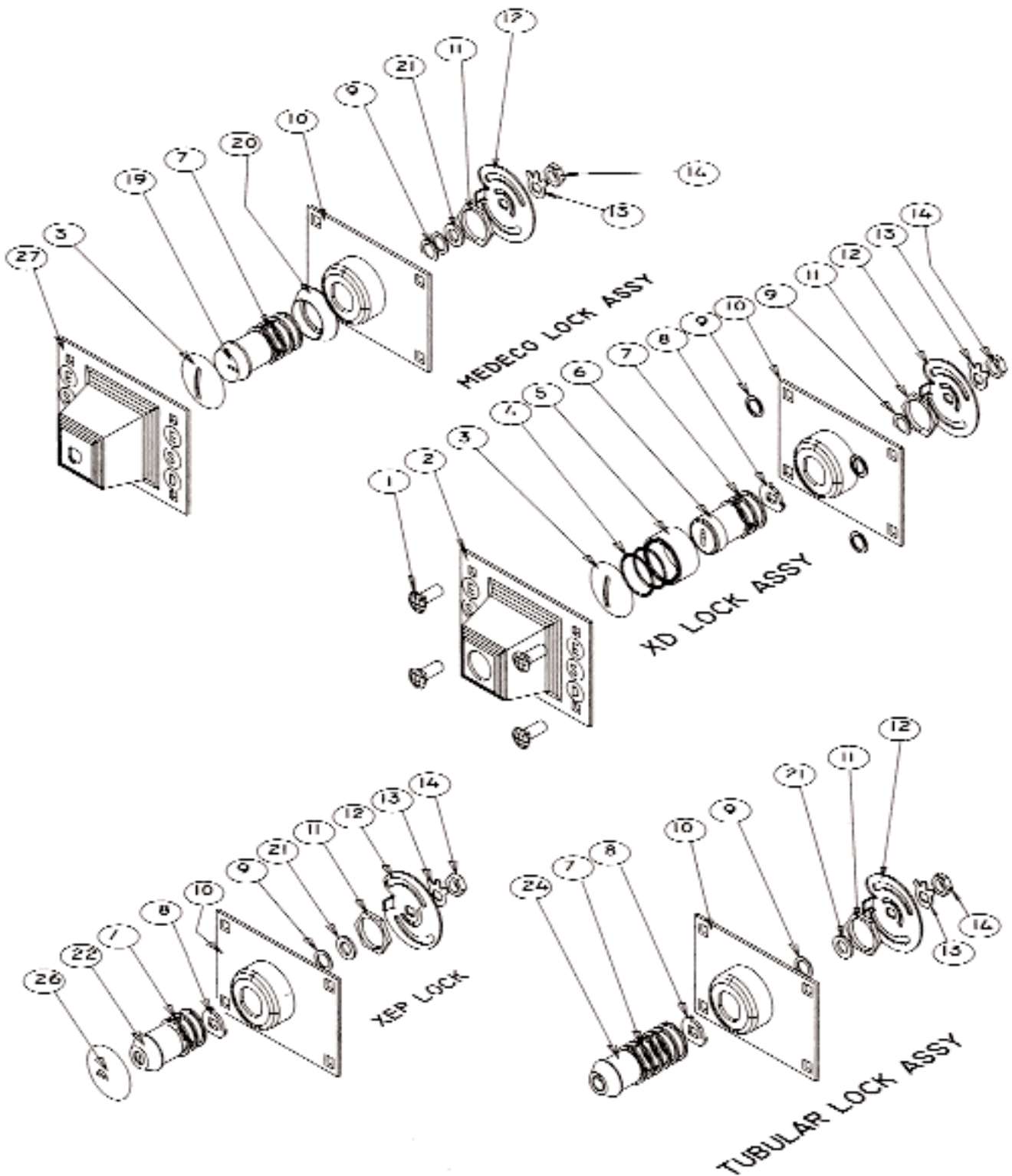
* SOLD IN MINIMUM QUANTITY OF 100 PER BAG
 ‡ SOLD IN MINIMUM QUANTITY OF 20 PER BAG

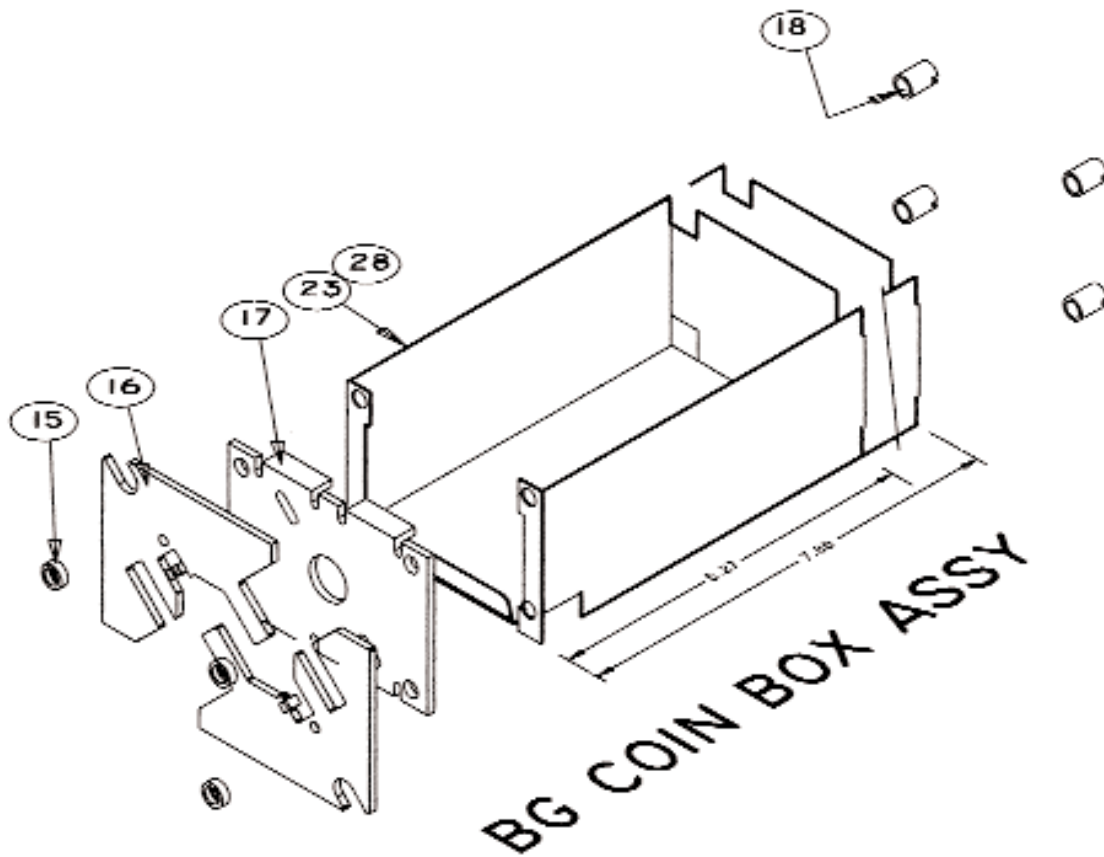




CALL TOLL FREE, USA and Canada 1-800-523-1510 • Fax 1-800-548-1638
270 New Jersey Drive, Fort Washington, PA 19034 (215)628-0860 Fax (215)643-4623
Find us on the web @ www.esdcoin.com

MONEY BOX PARTS LIST





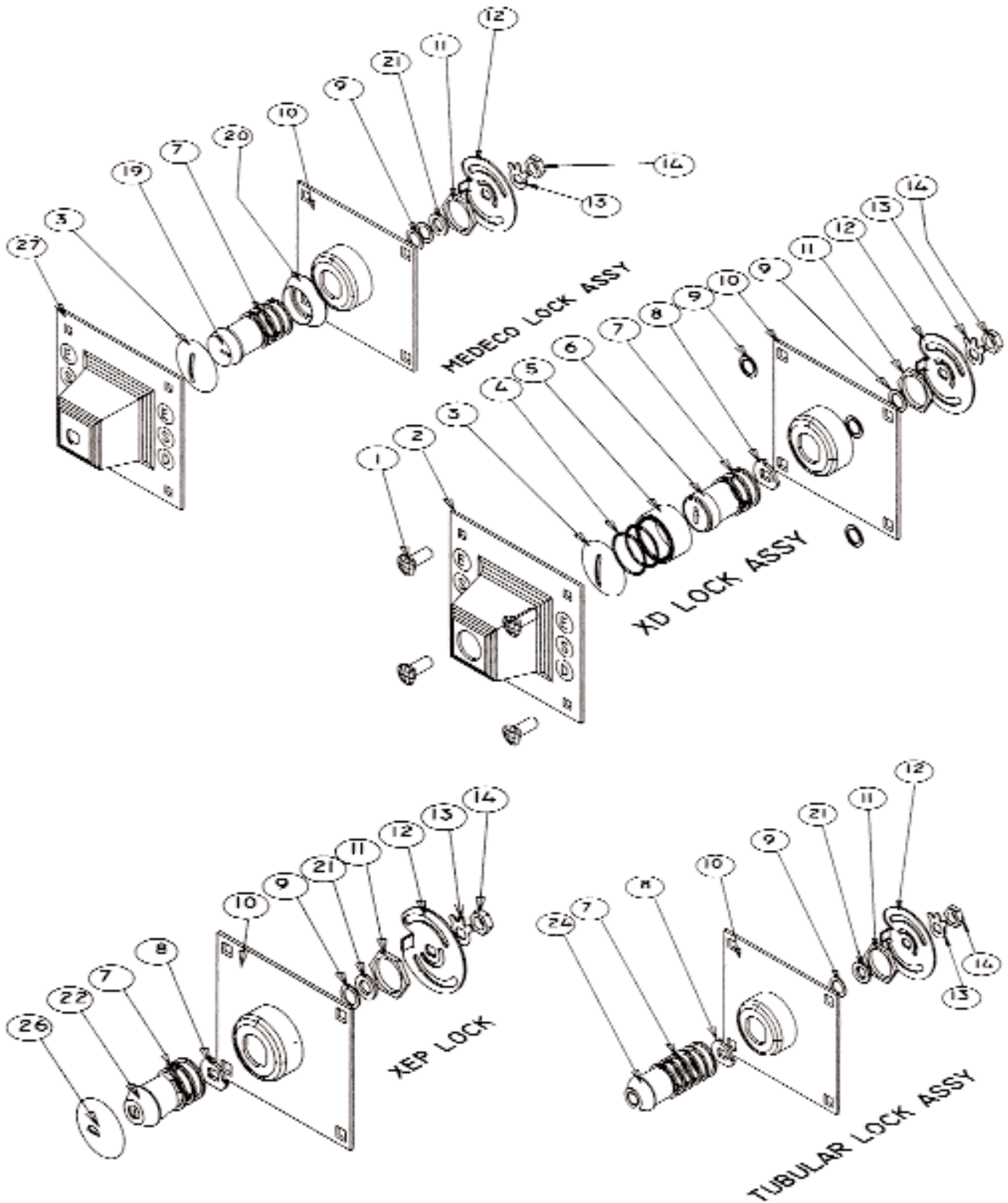
ITEM	PART #	DESCRIPTION	OFF
1	22039	CARRIAGE BOLT	4
2	20997	FACE PLATE	1
3	20984	SPINNER	1
4	20985	SPRING	1
5	20986	SPACER-SPINNER	1
6	0600XD	LOCK XD	
7	20524	WASHER LOCK SPACER	4
8	20528	CAM STOP 1/4 TURN	1
9	21000	WASHER	4
10	20993	LOCK HOLDER PLATE	1
11	50028	LOCK NUT 3/4-27	1
12	20983-M	CAM ACTUATOR	1
13	71692	RETAINING WASHER	1
14	50014	9/32-28 HEX NUT	1

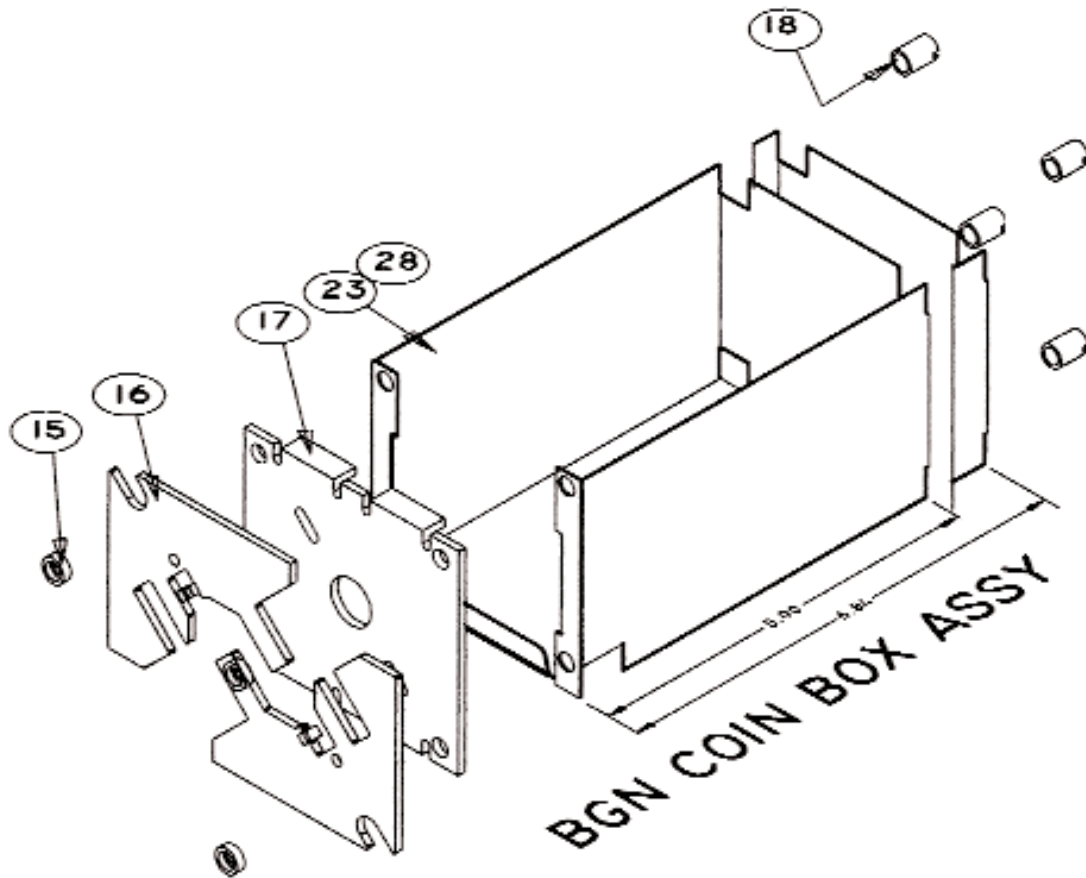
ITEM	PART #	DESCRIPTION	OFF
15	20989	SPACER LOCK HOLDER PLATE	4
16	22079	LOCKING PLATE	2
17	22078	LOCK SUPPORT PLATE	1
18	20918	NUT CARRIAGE BOLT	4
19	0600 M	LOCK MEDECO	
20	22059	LOCK COLLAR	1
21	21067	WASHER	1
22	0600XEP	LOCK XEP	
23	22044	COIN TRAY 7.86 LONG	1
24	0600ET	TUBULAR	
25	50013	FLAT WASHER	2
26	20998	SPINNER XPE LOCK	1
27	22496	FACE MEDECO	1
28	20999	COIN TRAY 5.27 LONG	1



CALL TOLL FREE, USA and Canada 1-800-523-1510 • Fax 1-800-548-1638
 270 New Jersey Drive, Fort Washington, PA 19034 (215)628-0860 Fax (215)643-4623
 Find us on the web @ www.esdcoin.com

MONEY BOX PARTS LIST





ITEM	PART #	DESCRIPTION	OFF
1	22039	CARRIAGE BOLT	4
2	20978	FACE PLATE	1
3	20984	SPINNER	1
4	20985	SPRING	1
5	20986	SPACER-SPINNER	1
6	0600XD	LOCK XD	
7	20524	WASHER LOCK SPACER	4
8	20528	CAM STOP 1/4 TURN	1
9	21000	WASHER	4
10	20979	LOCK HOLDER PLATE	1
11	50028	LOCK NUT 3/4-27	1
12	20983-M	CAM ACTUATOR	1
13	71692	RETAINING WASHER	1
14	50014	9/32-28 HEX NUT	1

ITEM	PART #	DESCRIPTION	OFF
15	20989	SPACER LOCK HOLDER PLATE	4
16	22081	LOCKING PLATE	2
17	22080	LOCK SUPPORT PLATE	1
18	20918	NUT CARRIAGE BOLT	4
19	0600 M	LOCK MEDECO	
20	22059	LOCK COLLAR	1
21	21067	WASHER	1
22	0600XEP	LOCK XEP	
23	22072	COIN TRAY 6.84 LONG	1
24	0600ET	TUBULAR	
25	50013	FLAT WASHER	2
26	20998	SPINNER XPE LOCK	1
27	22496	FACE MEDECO	1
28	20982	COIN TRAY 5.90 LONG	1

Prices are subject to change without notice.



CALL TOLL FREE, USA and Canada 1-800-523-1510 • Fax 1-800-548-1638
270 New Jersey Drive, Fort Washington, PA 19034 (215)628-0860 Fax (215)643-4623