



PARTS LIST



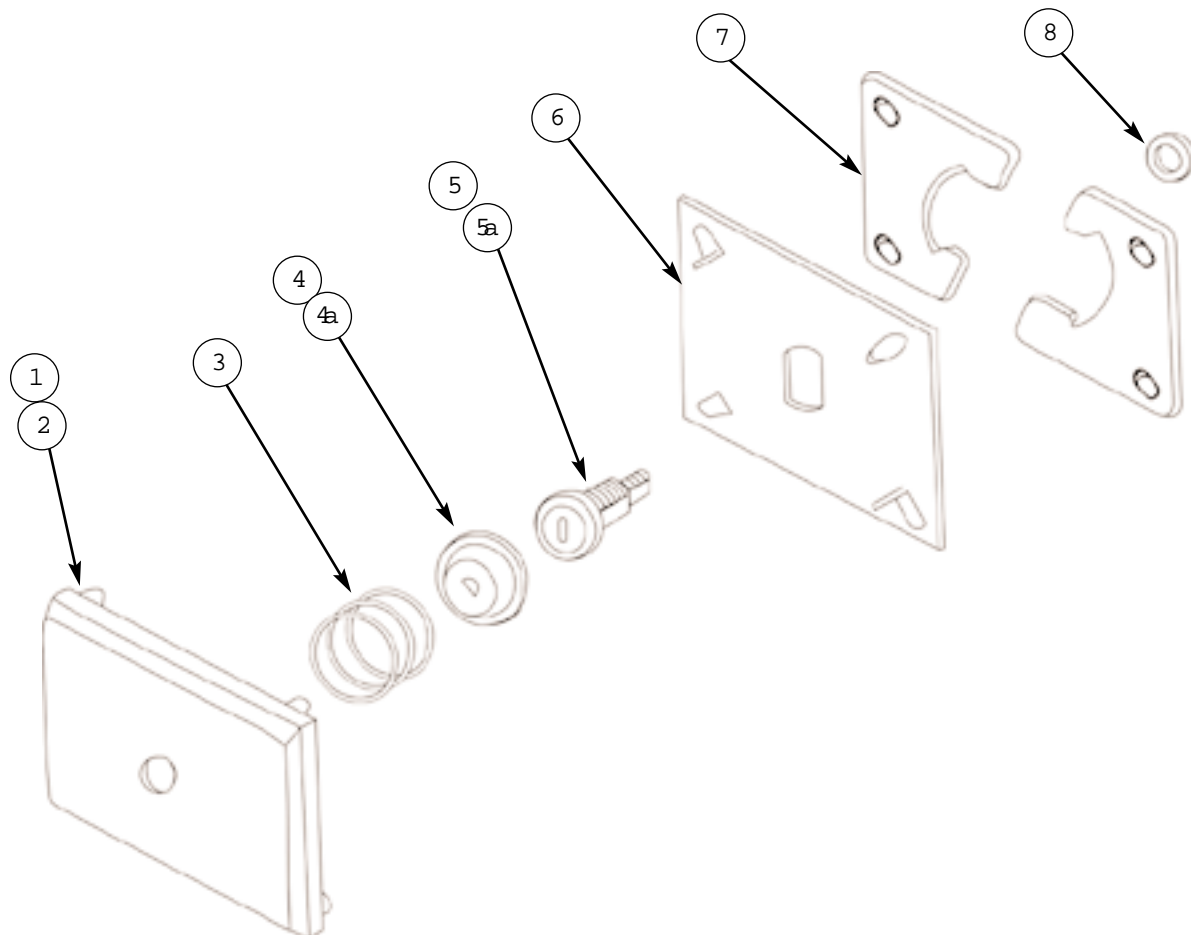
CALL TOLL FREE, USA and Canada 1-800-523-1510 • Fax 1-800-548-1638
270 New Jersey Drive, Fort Washington, PA 19034 (215)628-0860 Fax (215)643-4623
Find us on the web @ www.esdcoin.com

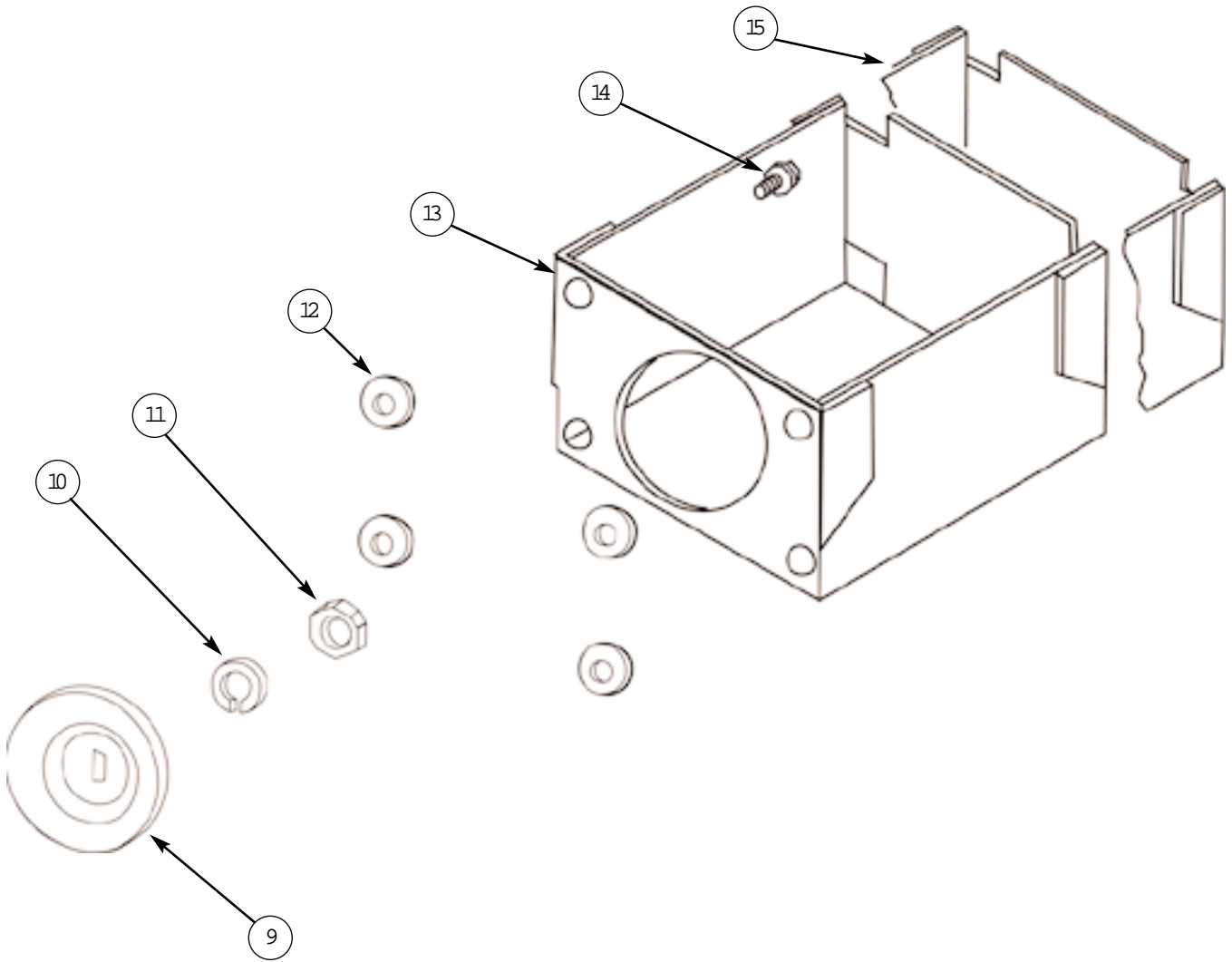
©ESD 1999

MONEY BOX PARTS LIST AND PRICES

ITEM	PART#	DESCRIPTION
1	20186 E	ESD FACE
2	20186D	DUO FACE
3	20192	COMPRESSION
4 - 4A	21379	RATCHET
5	0600E	ESD MB LOCK
5A	0600D	DUO MB LOCK
6	20191	LOCK HOLDER
7	20189	LOCKING PLATE
8	50009	PLASTIC WASHER
9	20202	ACTUATOR CAM
10	50008	SPLIT WASHER

ITEM	PART#	DESCRIPTION
11	50014	NUT
12	50009	HEX STUD
13	20205-S	SHORT COIN TRAY
14	50043	STUD SCREW
15	20205-L	LONG COIN TRAY
16	21883	X LONG COIN TRAY
18	50045	SM WAVE WASHER
19	50028	LARGE DUO NUT



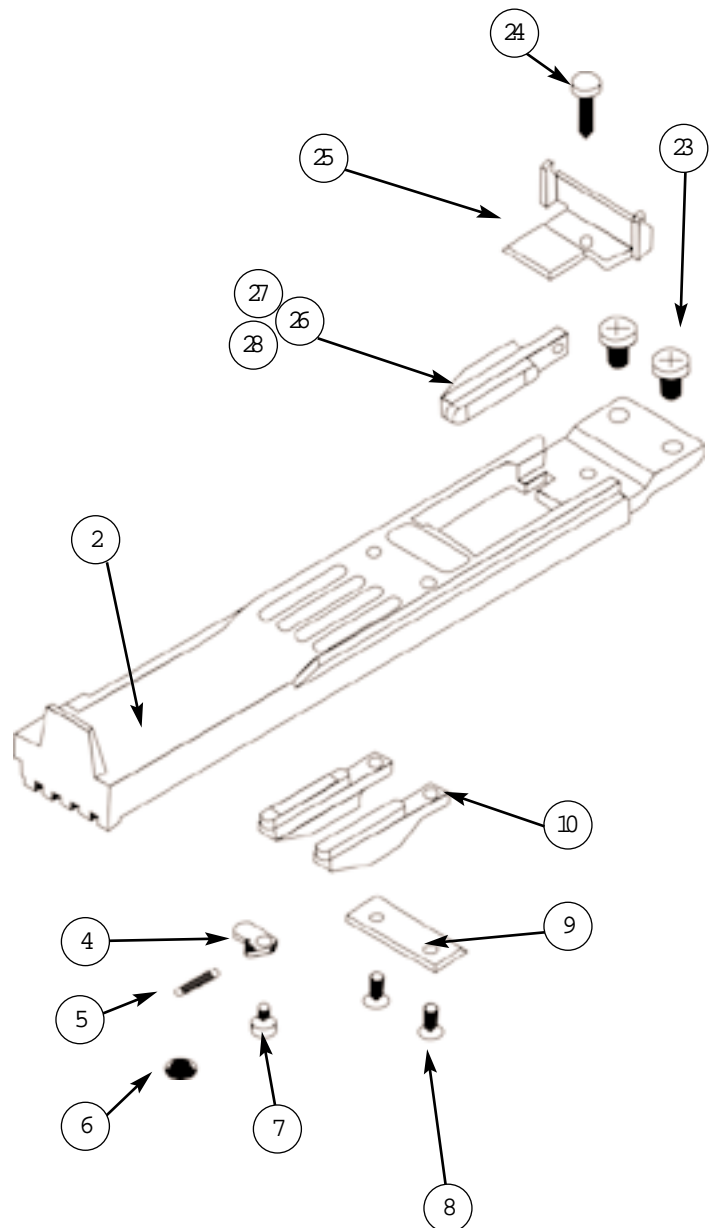


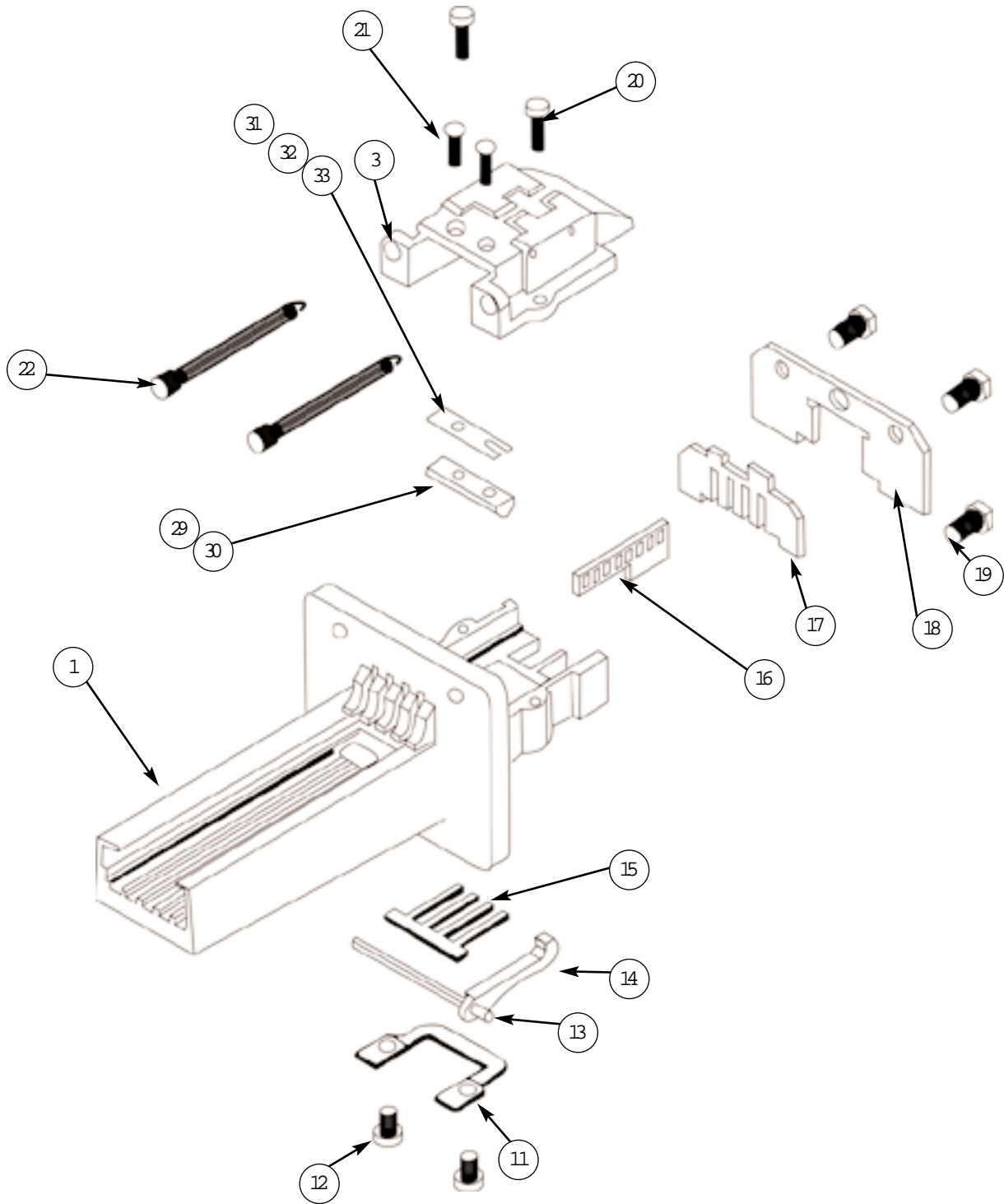
CALL TOLL FREE, USA and Canada 1-800-523-1510 • Fax 1-800-548-1638
270 New Jersey Drive, Fort Washington, PA 19034 (215)628-0860 Fax (215)643-4623
Find us on the web @ www.esdcoin.com

VERTICAL 4 PARTS LIST AND PRICES

ITEM	PART#	DESCRIPTION
1	21258	BODY
2	21752	HANDLE
3	21831	BRIDGE
4	20059	RATCHET
5	20065	RATCHET SPRING
6	20664	SPRING RETAINER
7	20736	RATCHET SCREW
8	21209	INSERT RETAINER
9	21754	INSERT RETAINER
10	21216	BLANK INSERT
11	20749	BOTTOM PLATE
12	50034	BOTTOM PLATE
13	20747	PIVOT PIN
14	20181	LEVER
15	20746	LEAF SPRING
16	21210	RATCHET PLATE
17	21265	GATE
18	21868	GATE RETAINER
19	20185	LOCATION SCREW
20	50033	BRIDGE SCREW
21	20662	BRIDGE INSERT
22	20964	RETIURN SPRING
23	50035	EXTENSION SCREW
24	50032	SPRING BRACKET
25	20782	SRPING BRACKET
26	21.194	10¢ INSERT
27	21.193	25¢ INSERT
28	21285	85¢ BRIDGE INSERT

29	21913	\$1 BRIDGE INSERT
30	20779	.015 SHIM
32	20781	.030 SHIM



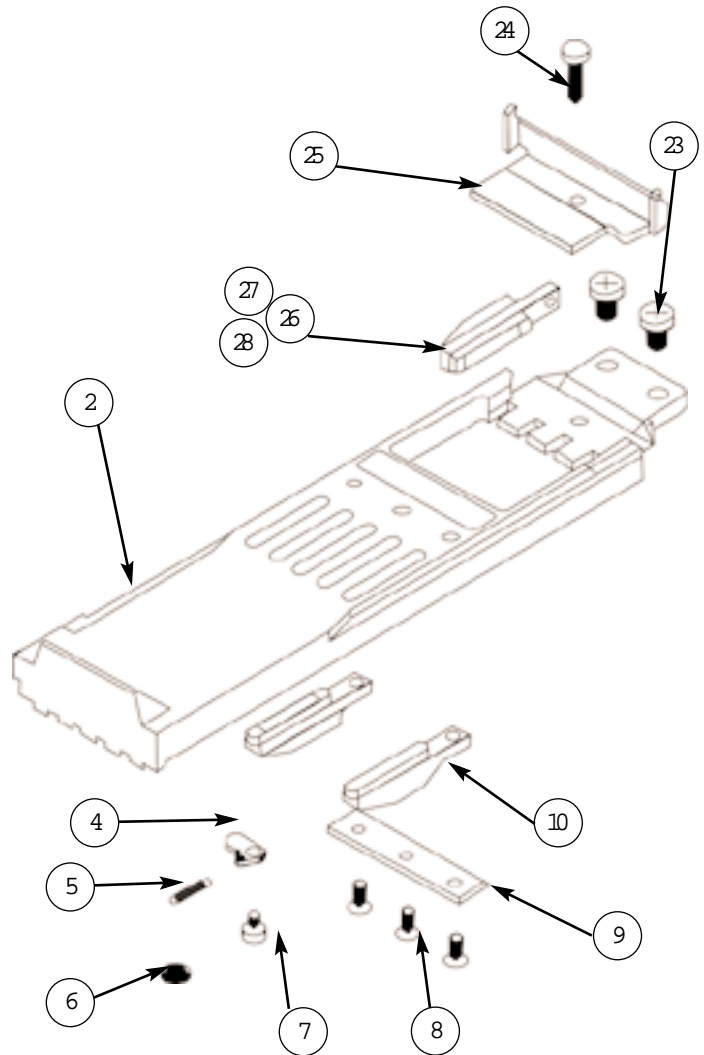


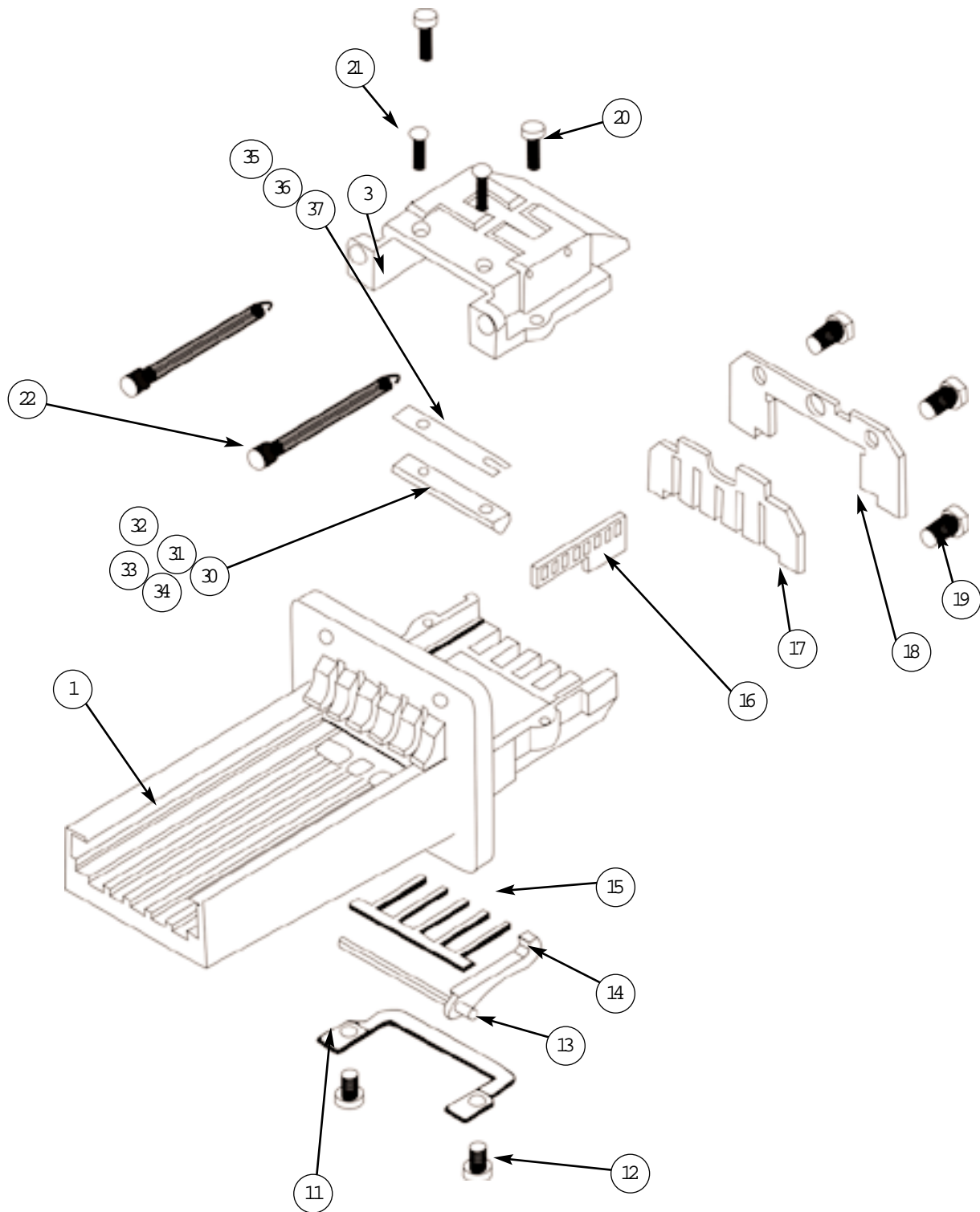
CALL TOLL FREE, USA and Canada 1-800-523-1510 • Fax 1-800-548-1638
270 New Jersey Drive, Fort Washington, PA 19034 (215)628-0860 Fax (215)643-4623
Find us on the web @ www.esdcoin.com

VERTICAL 5 PARTS LIST AND PRICES

ITEM	PART#	DESCRIPTION
1	21800	BODY
2	21242	HANDLE
3	21887	BRIDGE
4	20059	RATCHET
5	20065	RATCHET SPRING
6	20664	RETAINER SPRING
7	20736	RATCHET SCREW
8	21209	INSERT RETAINER
9	21256	INSERT RETAINER
10	21216	BLANK INSERT
11	21244	BOTTOM PLATE
12	50034	BOTTOM PLATE
13	21251	PIVOT PIN
14	20181	LEVER
15	21907	LEAF SPRING
16	21210	RATCHET PLATE
17	22246	5CN GATE
18	21867	GATE RETAINER
19	20185	LOCATION SCREW
20	50033	BRIDGE SCREW
21	20662	BRIDGE INSERT
22	20964	RETURN SPRING
23	50035	EXTENSION SCREW
24	50032	SPRING BRACKET
25	21860	SPRING BRACKET
26	21.194	10¢ INSERT
27	21.193	25¢ INSERT
28	21281	\$1.00 INSERT

ITEM	PART#	DESCRIPTION
29	21288	\$1.10 INSERT
30	21289	\$1.25 INSERT
31	21290	\$2.00 BRIDGE
32	21291	\$2.75 BRIDGE
33	21292	\$3.50 BRIDGE
34	21293	\$4.25 BRIDGE
35	21253	.015 SHIM
36	21254	.020 SHIM
37	21255	.030 SHIM



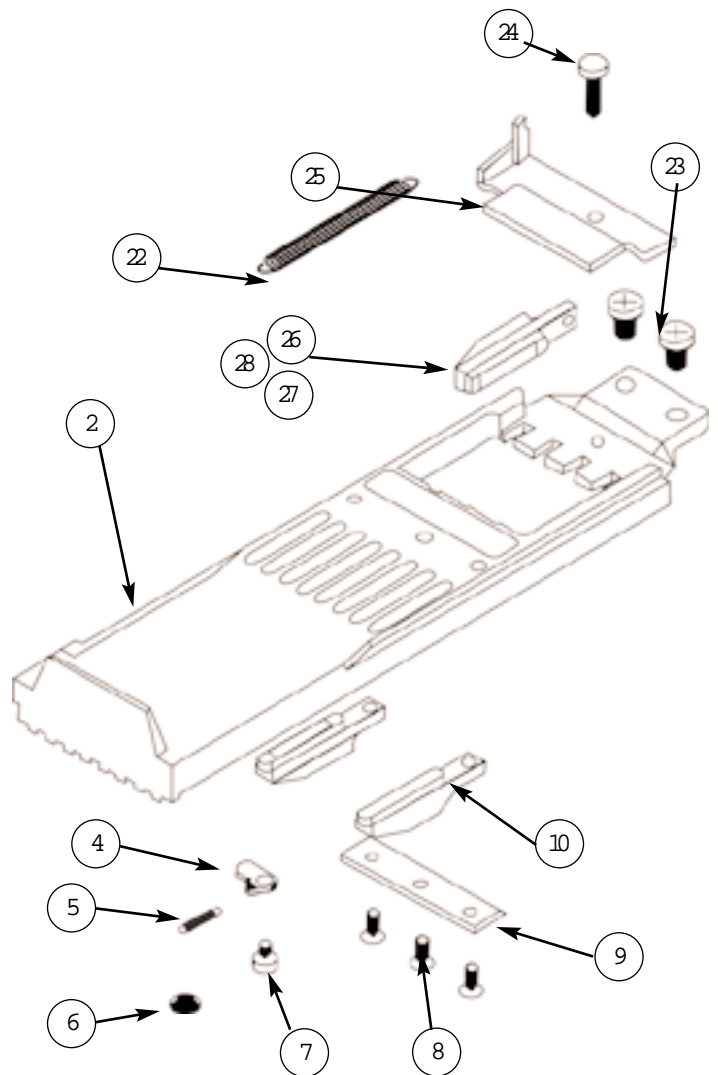


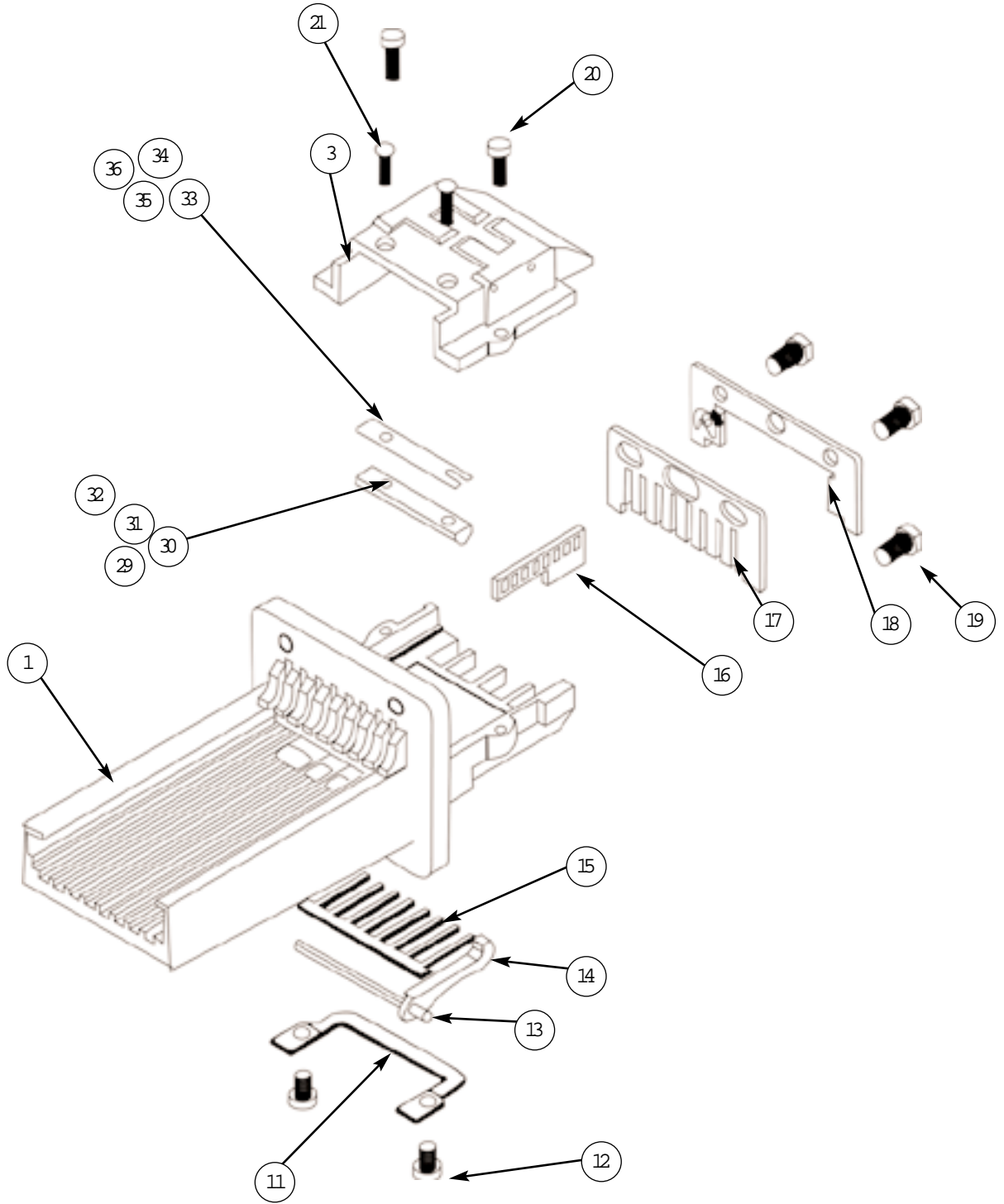
CALL TOLL FREE, USA and Canada 1-800-523-1510 • Fax 1-800-548-1638
270 New Jersey Drive, Fort Washington, PA 19034 (215)628-0860 Fax (215)643-4623
Find us on the web @ www.esdtron.com

VERTICAL 8 PARTS LIST AND PRICES

ITEM	PART#	DESCRIPTION
1	21728	BODY
2	21727	HANDLE
3	21732	BRIDGE
4	20059	RATCHET
5	20065	RATCHET SPRING
6	20664	RETAINER SPRING
7	20736	RATCHET SCREW
8	21209	INSERT RETAINER
9	21738	INSERT RETAINER
10	21216	BLANK INSERT
11	20709	BOTTOM PLATE
12	50034	BOTTOM PLATE
13	20710	PIVOT PIN
14	20181	LEVER
15	20717	LEAF SPRING
16	21210	RATCHET PLATE
17	21881	GATE
18	21866	GATE RETAINER
19	20185	LOCATION SCREW
20	50033	BRIDGE SCREW
21	20662	BRIDGE INSERT
22	21771	RETURN SPRING
23	50035	EXTENSION SCREW
24	50032	SPRING BRACKET
25	21860	SPRING BRACKET
26	21.194	10¢ INSERT
27	21.193	25¢ INSERT
28	21281	\$1.00 INSERT

ITEM	PART#	DESCRIPTION
29	21758	\$1.85 BRIDGE
30	21759	\$2.00 BRIDGE
31	21760	\$2.75 BRIDGE
32	21765	\$5.75 BRIDGE
33	20732	.010 SHIM
34	20733	.015 SHIM
35	20734	.020 SHIM
36	20735	.030 SHIM





CALL TOLL FREE, USA and Canada 1-800-523-1510 • Fax 1-800-548-1638
270 New Jersey Drive, Fort Washington, PA 19034 (215)628-0860 Fax (215)643-4623
Find us on the web @ www.esdtron.com



CALL TOLL FREE, USA and Canada 1-800-523-1510 • Fax 1-800-548-1638

270 New Jersey Drive, Fort Washington, PA 19034

(215)628-0860 Fax (215)643-4623

Find us on the web @ www.esdcoin.com